

东莞市志展五金塑胶制品有限公司

DongGuan ZhiZhan Hardware Plastic Products Co., LTD

TEL:0769-81802125

FAX:0769-81802126

DOCUMENT NO.

RDE0322A

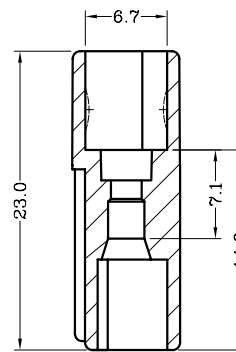
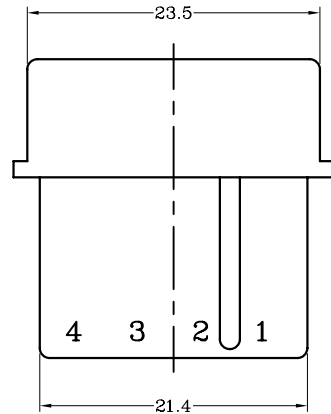
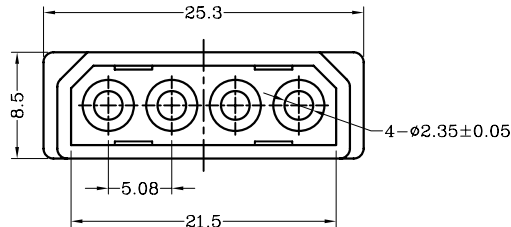
SERIAL NO.

C5081H02-4P

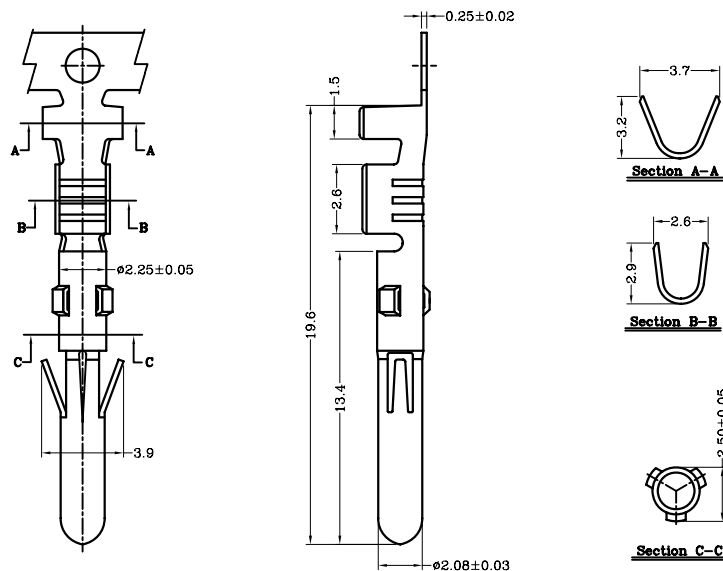
- * Material:Nylon 66 UL 94V-2
- * Unit quantity:500 Pcs/Bag

Specifications:

Poles	4Poles
Plug Diameter	5.08mm
Rated Voltage	250V AC,DC
Rated Current	10A(MAX)
Withstand Voltage	1500V AC/minute
Contact Resistance	10mΩ (MAX)
Insulation Resistance	1000mΩ (MIN)
Temperature Range	-25°C ~ +85°C*
Applicable Wire Range	AWG #16~#24



C5081 Series 5.08mm Pitch crimp terminal



Specifications & Ordering Information:

Part No	Wire Range	Insulation O.D.	Material	Finish	Qty/reel
C5081TOB-2	AWG #20~#24	2.30mm(max)	Brass	Tin-plated	8,000 PCS
C5081TOP-2	AWG #20~#24	2.30mm(max)	Phosphor Bronze	Tin-plated	8,000 PCS