

东莞市志展五金塑胶制品有限公司

DongGuan ZhiZhan Hardware Plastic Products Co., LTD

TEL:0769-81802125

FAX:0769-81802126

DOCUMENT NO.

RDE0301A

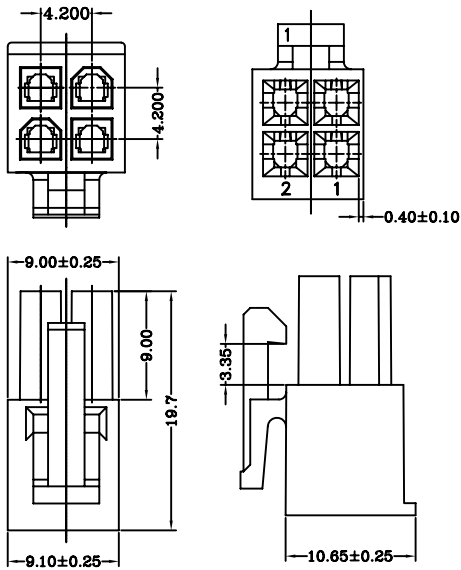
SERIAL NO.

C4202H00-2*10P

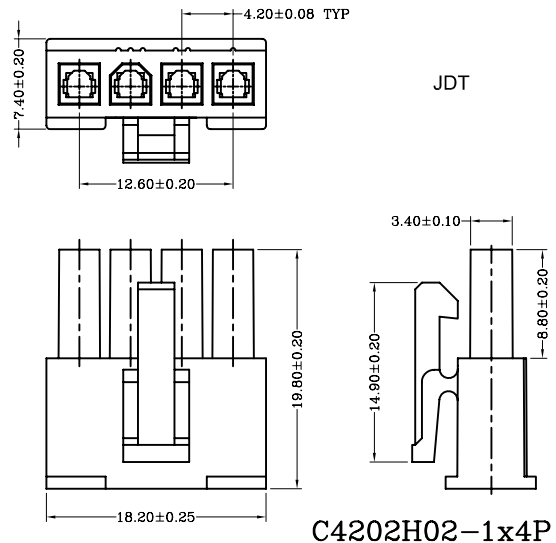
- * Material:Nylon 66 UL 94V-2
- * Unit quantity:1000 Pcs/Bag

Specifications:

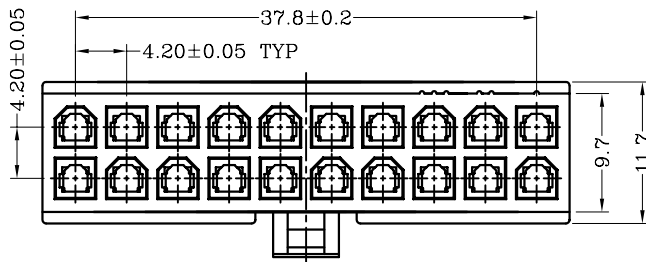
Poles	2-24Poles
Plug Diameter	4.20mm
Rated Voltage	250V AC/DC
Rated Current	9A
Withstand Voltage	1500V AC/minute
Contact Resistance	10mΩ(MAX).
Insulation Resistance	1000mΩ(MIN).
Temperature Range	-25°C ~ +85°C*
Applicable Wire Range	AWG #16~#30



C4202H02-2x2P



C4202H02-1x4P



C4202H00-2*10P

