

东莞市志展五金塑胶制品有限公司

DongGuan ZhiZhan Hardware Plastic Products Co., LTD

TEL:0769-81802125

FAX:0769-81802126

DOCUMENT NO.

RDE0297A

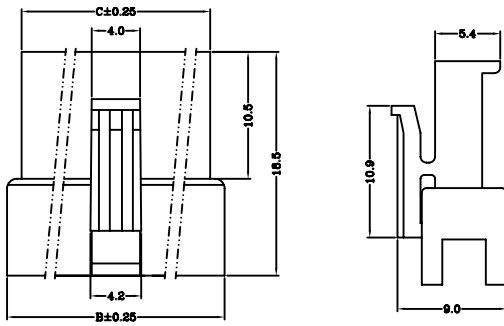
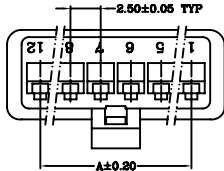
SERIAL NO.

C2521H00-NP

- * Material:Nylon 66 UL 94V-0(Black)
- * Unit quantity:1000 Pcs/Bag

Specifications:

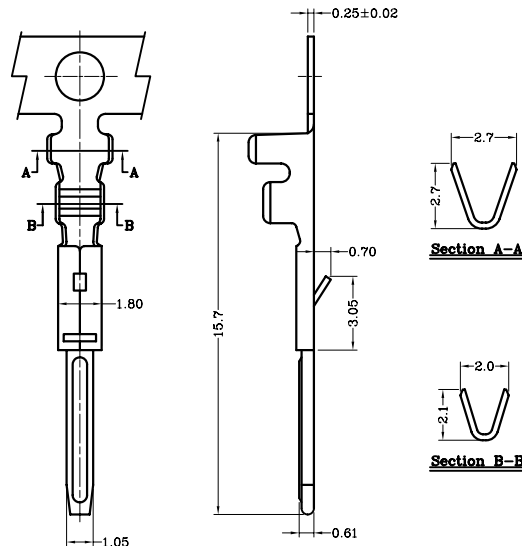
Poles	1-12Poles
Plug Diameter	2.50mm
Rated Voltage	250V AC,DC
Rated Current	3A(AWG#22)
Withstand Voltage	1500V AC/minute
Contact Resistance	10mΩ (MAX)
Insulation Resistance	500m Ω(MIN)
Temperature Range	-25°C ~ +85°C*
Applicable Wire Range	AWG #22~#28



Dimensional & Ordering Information:

Circuits	Part No	Dimensions			PCS/BAG
		A	B	C	
2	C2521H00-2P	2.50	8.0	5.6	1000
3	C2521H00-3P	5.00	10.5	8.1	
4	C2521H00-4P	7.50	13.0	10.6	
5	C2521H00-5P	10.00	15.5	13.1	
6	C2521H00-6P	12.50	18.0	15.6	
7	C2521H00-7P	15.00	20.5	18.1	
8	C2521H00-8P	17.50	23.0	20.6	
9	C2521H00-9P	20.00	25.5	23.1	
10	C2521H00-10P	22.50	28.0	25.6	
11	C2521H00-11P	25.00	30.5	28.1	
12	C2521H00-12P	27.50	33.0	30.6	

C2521 Series 2.50mm Pitch crimp terminal



Specifications & Ordering Information:

Part No	Wire Range	Insulation O.D.	Material	Finish	Qty/reel	NOTE
C2521T0*-2	AWG #22~#28	1.70mm(max)	Brass or P.bronze	Tin-plated	10,000 PCS	e:Stamping before tin plated
C2521T0*-2e	AWG #22~#28	1.70mm(max)	Brass or P.bronze	Tin-plated	10,000 PCS	