

# 东莞市志展五金塑胶制品有限公司

DongGuan ZhiZhan Hardware Plastic Products Co., LTD

TEL:0769-81802125

FAX:0769-81802126

DOCUMENT NO.

RDE0269A

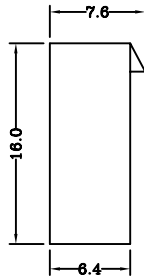
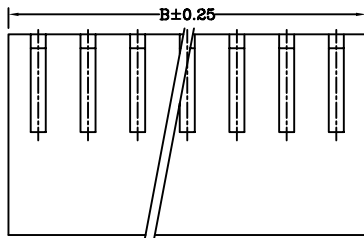
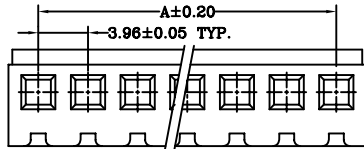
SERIAL NO.

A3961H00-NP

Material:Nylon 66 UL94V-0/94V2(White)

**Specifications:**

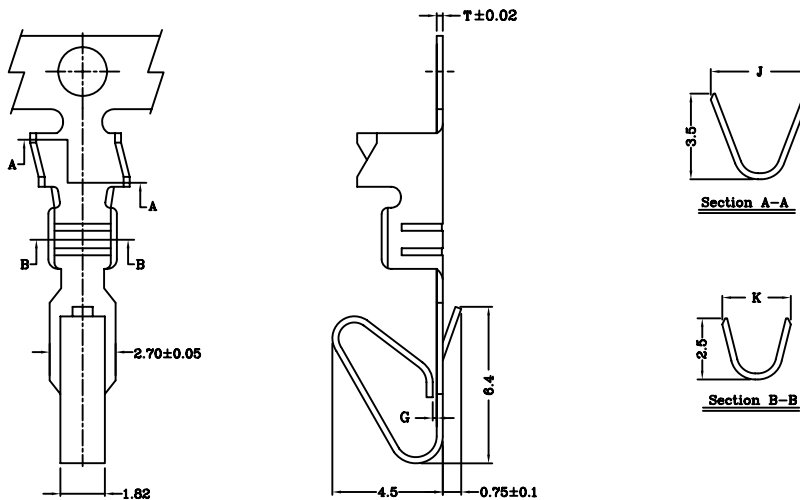
Poles	2-16Poles
Pitch between poles	3.96mm
Rated Voltage	250V AC,DC
Rated Current	6A(AWG#18)
Withstand Voltage	1500V AC/minute
Contact Resistance	10mΩ (MAX)
Insulation Resistance	1000mΩ(MIN)
Temperature Range	-25°C ~ +120°C*
Applicable Wire Range	AWG #18~#26



**Dimensional & Ordering Information:**

Circuits	Part No	Dimensions		PCS/BAG
		A	B	
2	A3961H00-2P	3.96	8.71	1000
3	A3961H00-3P	7.92	12.67	1000
4	A3961H00-4P	11.88	16.63	1000
5	A3961H00-5P	15.84	20.59	1000
6	A3961H00-6P	19.80	24.55	1000
7	A3961H00-7P	23.76	28.51	500
8	A3961H00-8P	27.72	32.47	500
9	A3961H00-9P	31.68	36.43	500
10	A3961H00-10P	35.64	40.39	500
11	A3961H00-11 P	39.60	44.35	500
12	A3961H00-12P	43.56	48.31	500
13	A3961H00-13P	47.52	52.27	500
14	A3961H00-14P	51.48	56.23	500
15	A3961H00-15P	55.44	60.19	500
16	A3961H00-16P	59.40	64.15	500

## A3961 Series 3.96mm pitch crimp terminal



**Specifications & Ordering Information:**

Part No	Dimension(mm)				Wire Range	Insulation O.D.	Material	Finish	Qty/reel
	T	J	K	G					
A3961T3B-2C	0.25	4.1	2.5	0.2	AWG #18~#22	2.80mm(max)	Brass	Tin-plated	6,000 PCS
A3961T3B-2D	0.30	3.75±0.25	2.5	0.2	AWG #18~#22	2.80mm(max)		Tin-plated	6,000 PCS
A3961T3P-2C	0.25	4.1	2.5	0.2	AWG #18~#22	2.80mm(max)	Phosphor Bronze	Tin-plated	6,000 PCS
A3961T3P-2D	0.30	3.75±0.25	2.5	0.2	AWG #18~#22	2.80mm(max)		Tin-plated	6,000 PCS