

深圳市占開科技有限公司

ShenZhen ZhanKai Technology CO.,LTD

TEL:0769-81802125

FAX:0768-81802126

DOCUMENT NO.

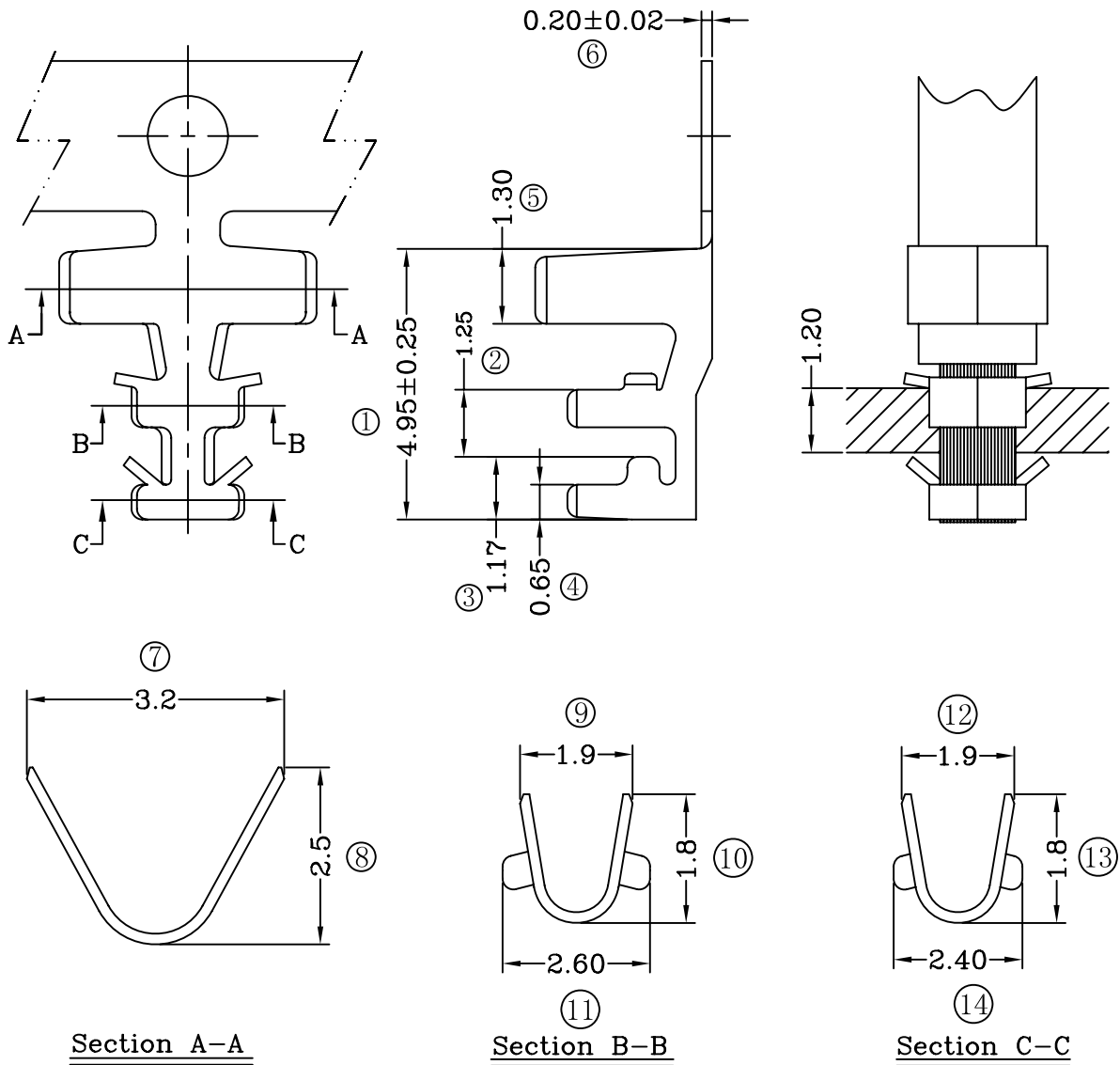
RDE0104A

SERIAL NO.

B1511TOP-2(e)

Applicable P.C.B. thickness : 1.20mm

P.C.B. hole diameter : $\phi 1.50\text{mm}$



Specifications & Ordering Information:

| Part No | Wire Range | Insulation O.D. | Material | Finish | Qty/reel | NOTE |
|-------------|-------------|-----------------|-----------------|------------|------------|--------------------------------|
| B1511TOP-2E | AWG #22~#24 | 1.95mm(max) | Phosphor bronze | Tin-plated | 10,000 PCS | e: Stamping before tin plating |

| REV. | ECN NO. | UNIT | TOLERANCE | PROJECTION | DRAWING | CHECK | APPROVAL |
|------|-------------|------|-----------|------------|---------|-------|----------|
| △A | NEW DRAWING | mm | *** ±0.08 | | 王 昊 | — | 余望明 |
| | | | ** ±0.15 | | | | |
| | | | * ±0.25 | | | | |