

# 深圳市占開科技有限公司

ShenZhen ZhanKai Technology CO.,LTD

TEL:0769-81802125

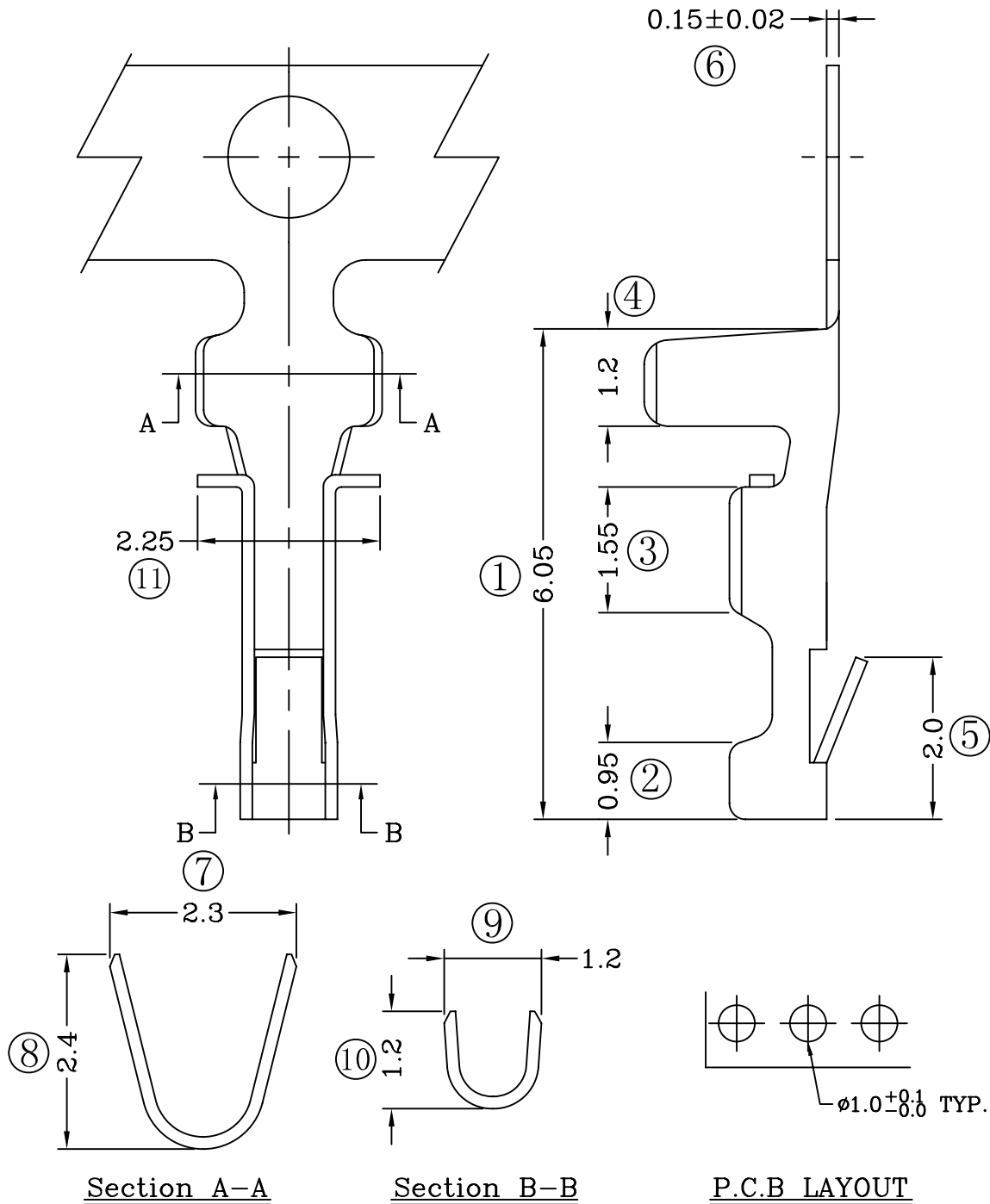
FAX:0769-81802126

DOCUMENT NO.

RDE0209A

SERIAL NO.

B1011TOP-2(e)



**Specifications & Ordering Information:**

Part No	Wire Range	Insulation O.D.	Material	Finish	Qty/reel	Note
B1011TOP-2	AWG #24~#28	1.60mm(max)	Phosphor bronze	Tin-plated	12,000 PCS	e:Stamping before tin plating
B1011TOP-2e	AWG #24~#28	1.60mm(max)	Phosphor bronze	Tin-plated	12,000 PCS	

REV.	ECN NO.	UNIT	TOLERANCE	PROJECTION	DRAWING	CHECK	APPROVAL
△	NEW DRAWING	mm	*** ±0.08		王 昊	—	余望明
			** ±0.15				
			* ±0.25				