

# 深圳市占開科技有限公司

ShenZhen ZhanKai Technology CO.,LTD

TEL:0769-81802125 FAX:0768-81802126

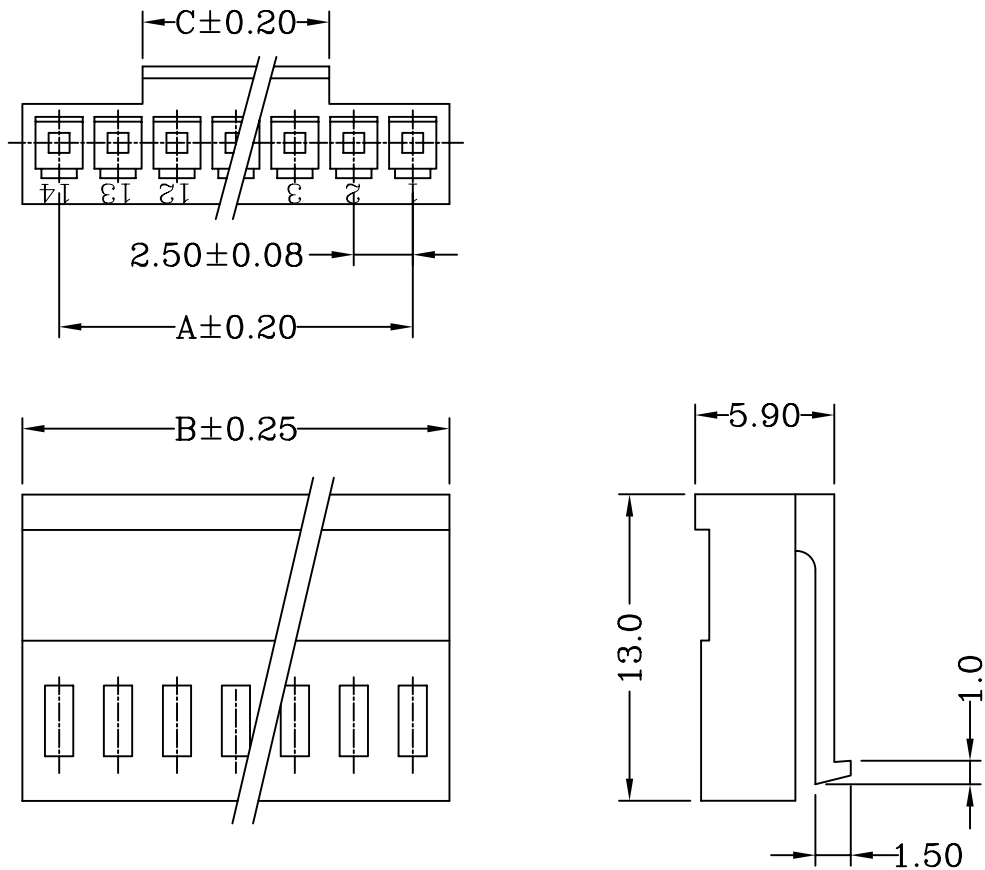
DOCUMENT NO.

RED0381A

SERIAL NO.

A2506H02-NP

Material:PBT UL94V-0



### Dimensional & Ordering Information:

Circuits	Part No	Dimensions			PCS/BAG
		A	B	C	
2	A2506H02-2P	2.5	5.5	2.0	1000
3	A2506H02-3P	5.0	8.0	2.5	1000
4	A2506H02-4P	7.5	10.5	5.0	1000
5	A2506H02-5P	10.0	13.0	5.0	1000
6	A2506H02-6P	12.5	15.5	6.0	1000
7	A2506H02-7P	15.0	18.0	8.0	500
8	A2506H02-8P	17.5	20.5	10.0	500
9	A2506H02-9P	20.0	23.0	10.0	500
10	A2506H02-10 P	22.5	25.5	10.0	500

REV.	ECN NO.	UNIT	TOLERANCE	PROJECTION	DRAWING	CHECK	APPROVAL
△	NEW DRAWING	mm	*** $\pm 0.08$		余望明	邹朝辉	朱建勋
△			** $\pm 0.15$				
△			* $\pm 0.25$				

# 深圳市占開科技有限公司

ShenZhen ZhanKai Technology CO.,LTD

TEL:0769-81802125

FAX:0768-81802126

DOCUMENT NO.

RDE0316B

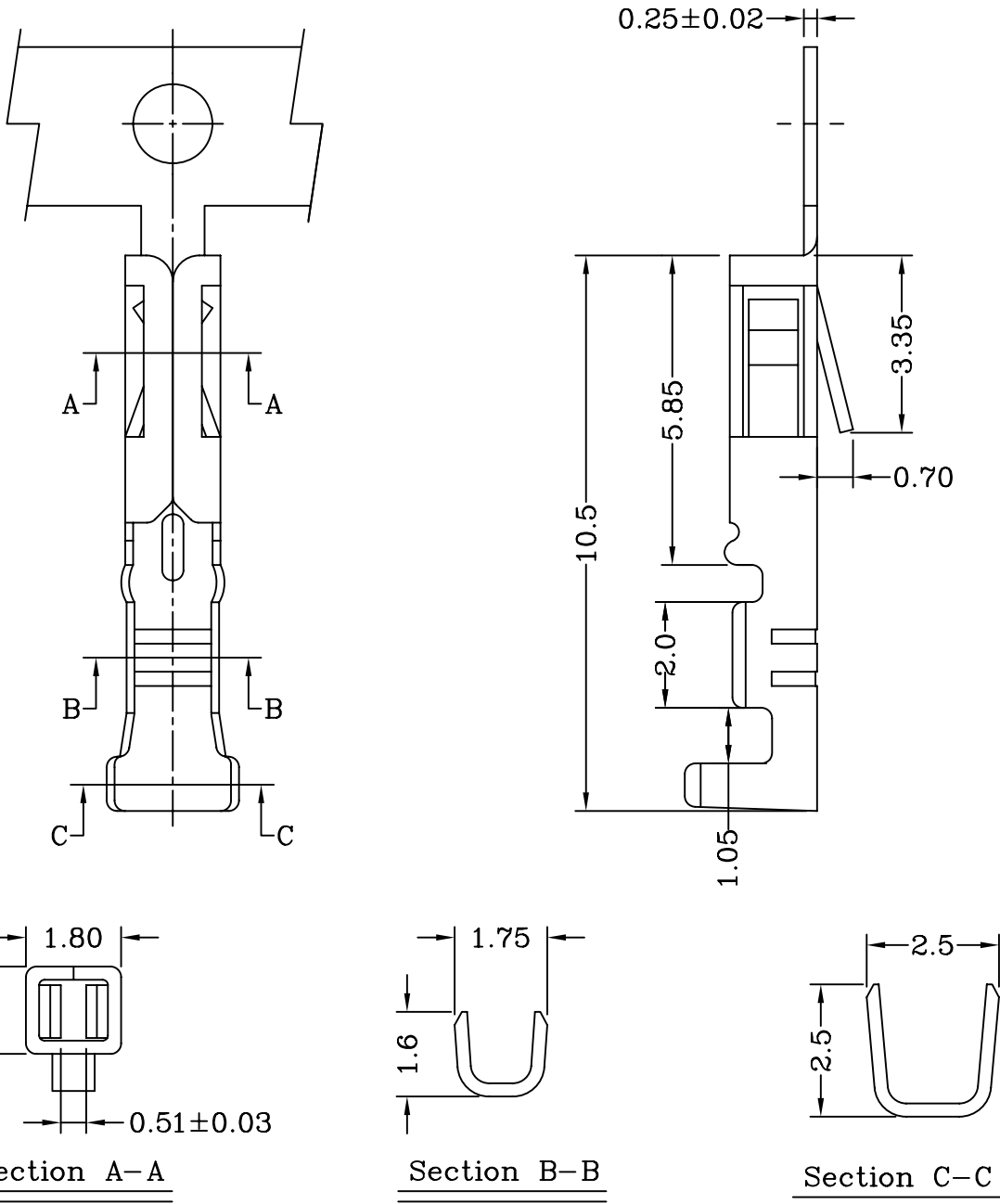
SERIAL NO.

A2506TOP-2

\*\*\*A2506WV2-NP WAFER\*\*\*

\*拔出力:第一次150 GRAMS/PER PIN (MIN.)

\*插入力:第一次400 GRAMS/PER PIN (MAX.)



Specifications & Ordering Information:

Part No.	Wire Range	Insulation O.D.	Material	Finish	Qty/reel
A2506TOP-2	AWG #24~#28	1.70mm(max)	Phosphor bronze	Tin-plated	10,000 PCS

REV.	ECN NO.	UNIT	TOLERANCE	PROJECTION	DRAWING	CHECK	APPROVAL
△	NEW DRAWING	mm	*** ±0.08				
△			** ±0.15				
△			* ±0.25				