

深圳市占開科技有限公司

ShenZhen ZhanKai Technology CO.,LTD

TEL:0769-81802125

FAX:0768-81802126

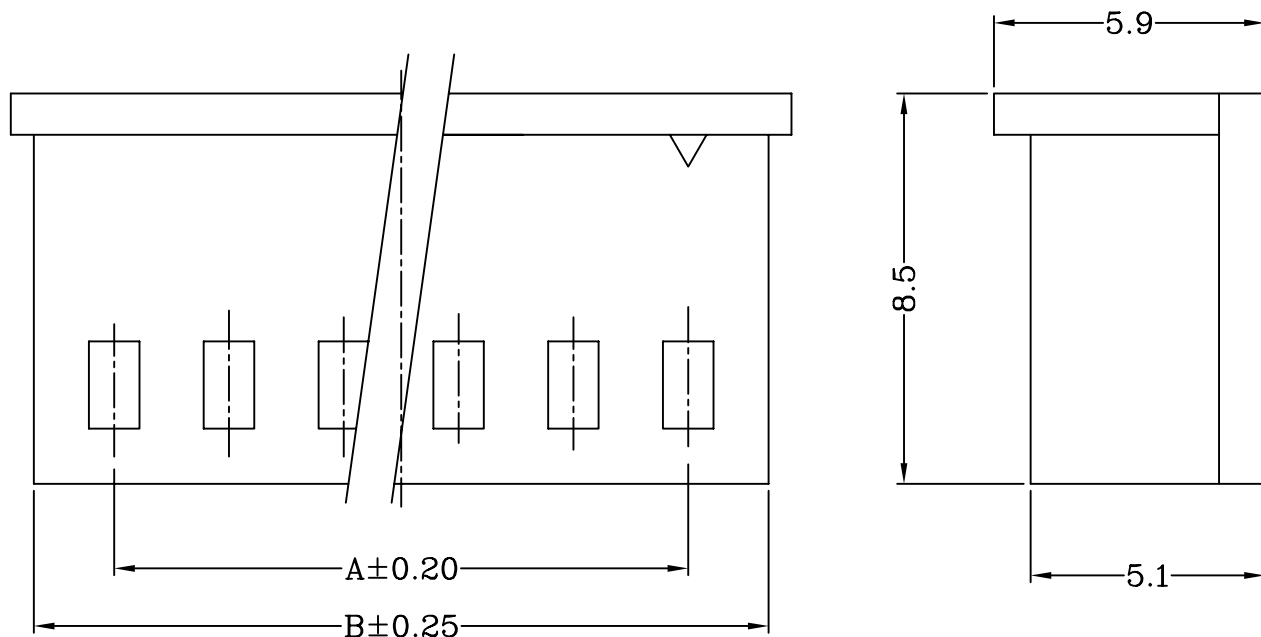
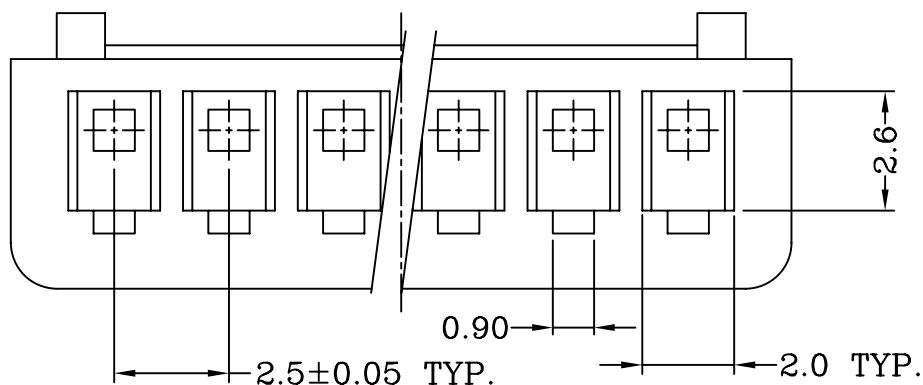
DOCUMENT NO.

RDE0253A

SERIAL NO.

A2503H00-NP

Material:Nylon 66 UL94V-0



Dimensional & Ordering Information:

Circuits	Part No	Dimensions		PCS/BAG	Circuits	Part No	Dimensions		PCS/BAG
		A	B				A	B	
2	A2503H00-2P	2.50	6.00	1000	12	A2503H00-12 P	27.50	31.00	1000
3	A2503H00-3P	5.00	8.50		13	A2503H00-13 P	30.00	33.50	
4	A2503H00-4P	7.50	11.00		14	A2503H00-14 P	32.50	36.00	
5	A2503H00-5P	10.00	13.50		15	A2503H00-15 P	35.00	38.50	
6	A2503H00 6P	12.50	16.00		16	A2503H00-16 P	37.50	41.00	
7	A2503H00-7P	15.00	18.50		17	A2503H00-17 P	40.00	43.50	
8	A2503H00-8P	17.50	21.00		18	A2503H00-18 P	42.50	46.00	
9	A2503H00-9P	20.00	23.50		19	A2503H00-19 P	45.00	48.50	
10	A2503H00-10P	22.50	26.00		20	A2503H00-20P	47.50	51.00	
11	A2503H00-11 P	25.00	28.50						

REV.	ECN NO.	UNIT	TOLERANCE	PROJECTION	DRAWING	CHECK	APPROVAL
A	NEW DRAWING	mm	*** ± 0.08		余望明	_____	朱建勋
B			** ± 0.15				
			* ± 0.25				

深圳市占開科技有限公司

ShenZhen ZhanKai Technology CO.,LTD

TEL:0769-81802125

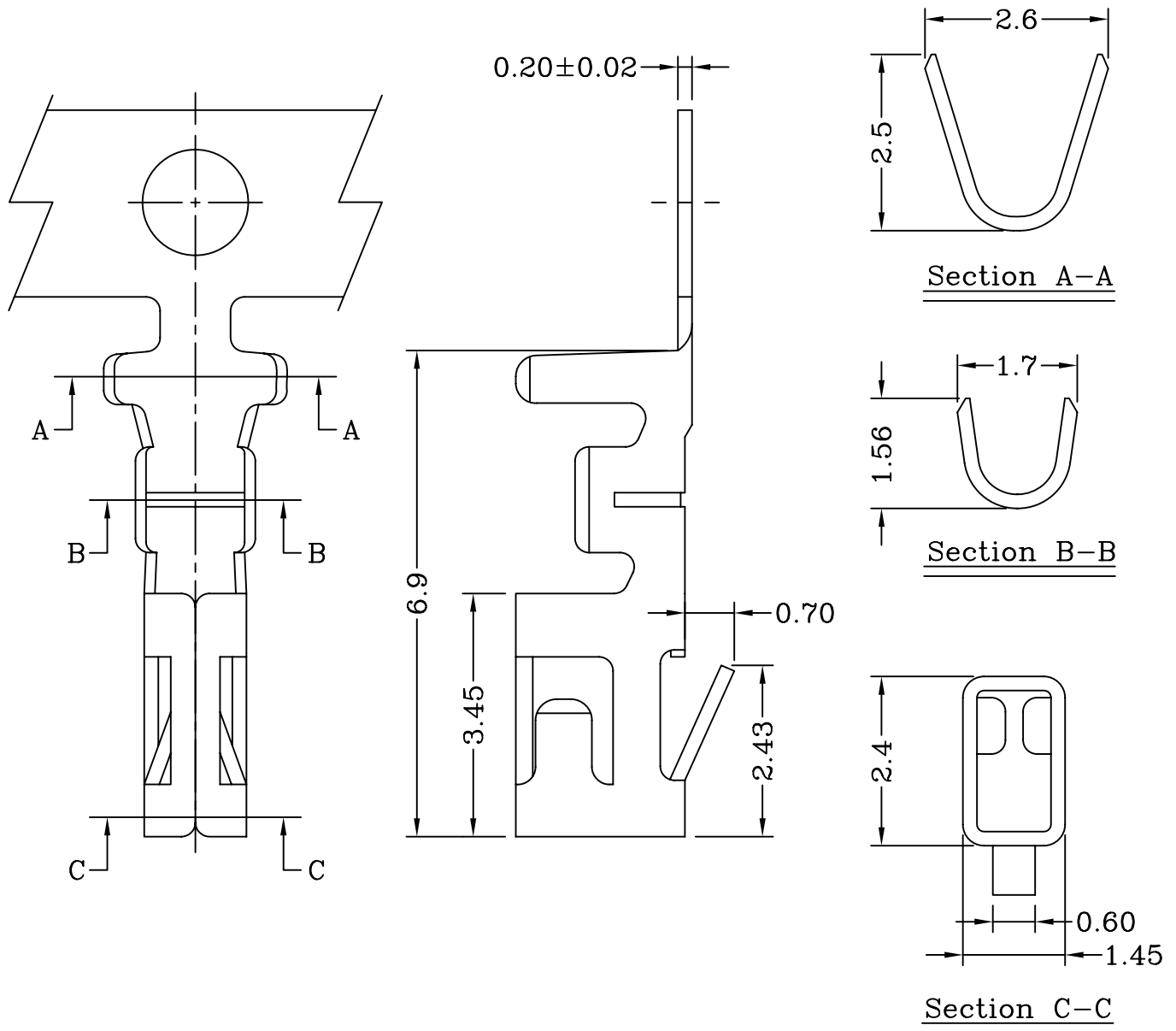
FAX:0768-81802126

DOCUMENT NO.

RDE0253B

SERIAL NO.

A2503T



Specifications & Ordering Information:

Part No	Wire Range	Insulation O.D.	Material	Finish	Qty/reel	Note:(0*)
A2503TOP-2	AWG #22~#28	1.75mm(max)	Phosphor bronze	Tin-plated	8,000 PCS	
A2503TOB-2	AWG #22~#28	1.75mm(max)	Brass	Tin-plated	8,000 PCS	

REV.	ECN NO.	UNIT	TOLERANCE	PROJECTION	DRAWING	CHECK	APPROVAL
△	NEW DRAWING	mm	*** ±0.08		余望明	—	朱建勋
△			** ±0.15				
△			* ±0.25				