

# 深圳市占開科技有限公司

ShenZhen ZhanKai Technology CO.,LTD

TEL:0769-81802125

FAX:0768-81802126

DOCUMENT NO.

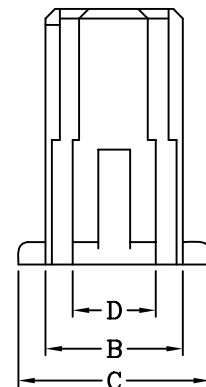
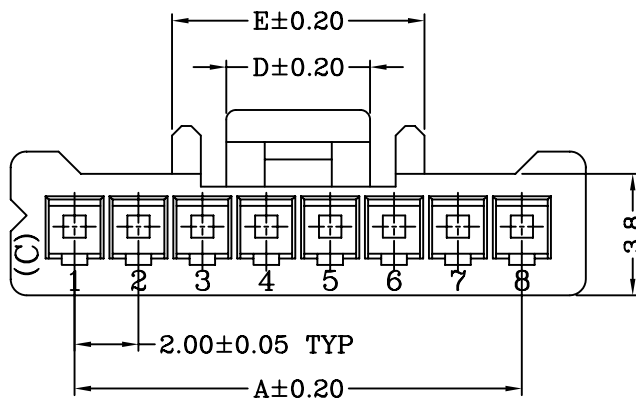
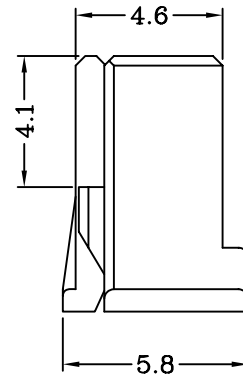
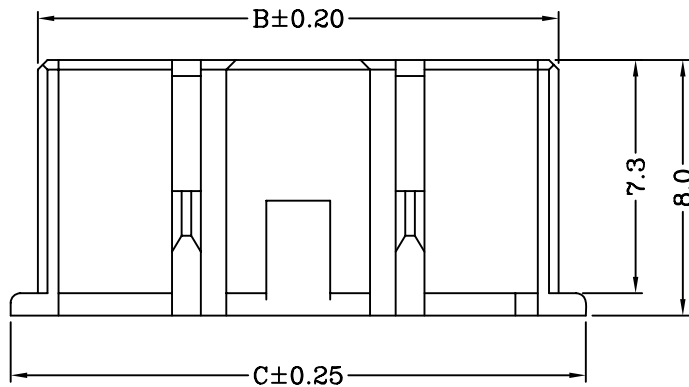
RDE2010A

SERIAL NO.

A2010H00-2P~9P

Material: Nylon 66 UL 94V-0 (White)

Suitable for A2006 series terminal



## Dimensional & Ordering Information:

2P

Circuits	Part No	Dimensions					PCS/BAG
		A	B	C	D	E	
2	A2010H00-2P	2.00	4.3	6.0	2.6	4.4	1000
3	A2010H00-3P	4.00	6.3	8.0	3.8	6.4	1000
4	A2010H00-4P	6.00	8.3	10.0	4.5	8.4	1000
5	A2010H00-5P	8.00	10.3	12.0	4.5	7.9	1000
6	A2010H00-6P	10.00	12.3	14.0	4.5	7.9	1000
7	A2010H00-7P	12.00	14.3	16.0	4.5	7.9	1000
8	A2010H00-8P	14.00	16.3	18.0	4.5	7.9	1000
9	A2010H00-9P	16.00	18.3	20.0	4.5	7.9	1000

REV.	ECN NO.	UNIT	TOLERANCE	PROJECTION	DRAWING	CHECK	APPROVAL
△	NEW DRAWING	mm	*** ±0.08				
			** ±0.15				
			* ±0.25				

# 深圳市占開科技有限公司

ShenZhen ZhanKai Technology CO.,LTD

TEL:0769-81802125

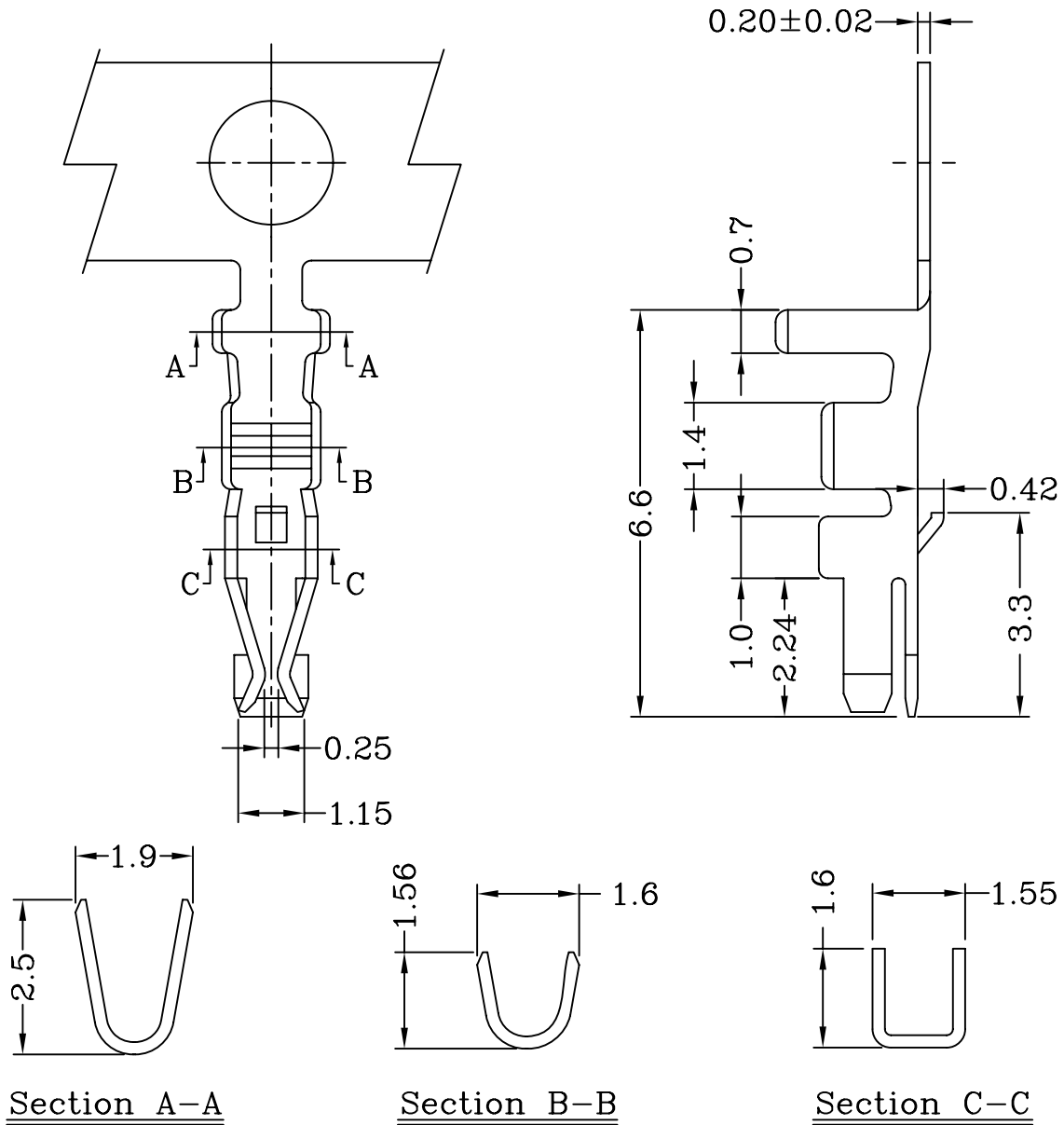
FAX:0768-81802126

DOCUMENT NO.

RDEA2006B

SERIAL NO.

A2006T



**Specifications & Ordering Information:**

Part No.	Wire Range	Insulation O.D.	Material	Finish	Qty/reel
A2006TOP-2	AWG #24~#28	1.60mm(max)	Phosphor bronze	Tin-plated	10,000 PCS

REV.	ECN NO.	UNIT	TOLERANCE	PROJECTION	DRAWING	CHECK	APPROVAL
△	NEW DRAWING	mm	*** $\pm 0.08$				
			** $\pm 0.15$				
			* $\pm 0.25$				