

深圳市占開科技有限公司

ShenZhen ZhanKai Technology CO.,LTD

TEL:0769-81802125 FAX:0768-81802126

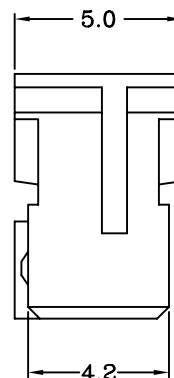
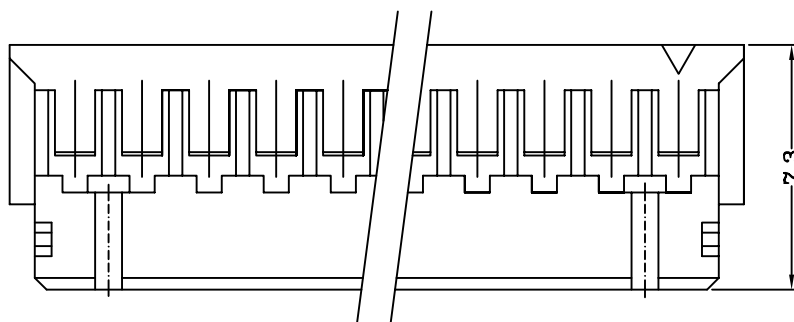
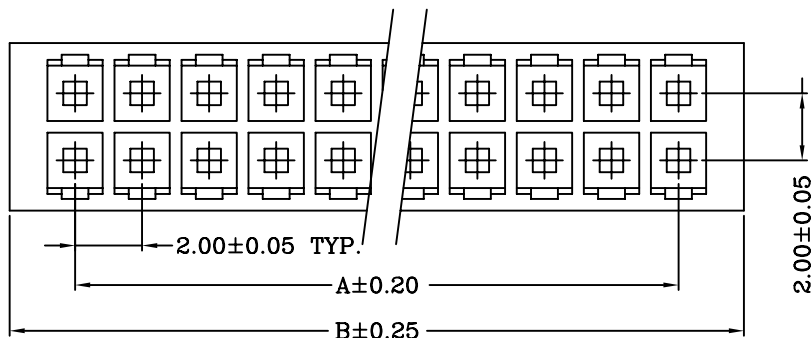
DOCUMENT NO.

RDE0206A

SERIAL NO.

A2006H00-2xNP

* Material: Nylon 66 UL 94V-0(White)



Dimensional & Ordering Information:

Circuits	Part No	Dimensions		Pcs/Bag
		A	B	
6	A2006H00-2x3P	4.00	7.9	1,000
8	A2006H00-2x4P	6.00	9.9	1,000
10	A2006H00-2x5P	8.00	11.9	1,000
12	A2006H00-2x6P	10.00	13.9	1,000
14	A2006H00-2x7P	12.00	15.9	1,000
16	A2006H00-2x8P	14.00	17.9	1,000
18	A2006H00-2x9P	16.00	19.9	1,000
20	A2006H00-2x10P	18.00	21.9	1,000
22	A2006H00-2x11P	20.80	23.9	1,000
24	A2006H00-2x12P	22.00	25.9	1,000
26	A2006H00-2x13P	24.00	27.9	1,000
28	A2006H00-2x14P	26.00	29.9	1,000
30	A2006H00-2x15P	28.00	31.9	1,000
32	A2006H00-2x16P	30.00	33.9	1,000
34	A2006H00-2x17P	32.00	35.9	1,000
36	A2006H00-2x18P	34.00	37.9	1,000
38	A2006H00-2x19P	36.00	39.9	1,000
40	A2006H00-2x20P	38.00	41.9	1,000

REV.	ECN NO.	UNIT	TOLERANCE	PROJECTION	DRAWING	CHECK	APPROVAL
△A	NEW DRAWING	mm	*** ±0.08		余望明	——	朱建勋
△B			** ±0.15				
			* ±0.25				

深圳市占開科技有限公司

ShenZhen ZhanKai Technology CO.,LTD

TEL:0769-81802125

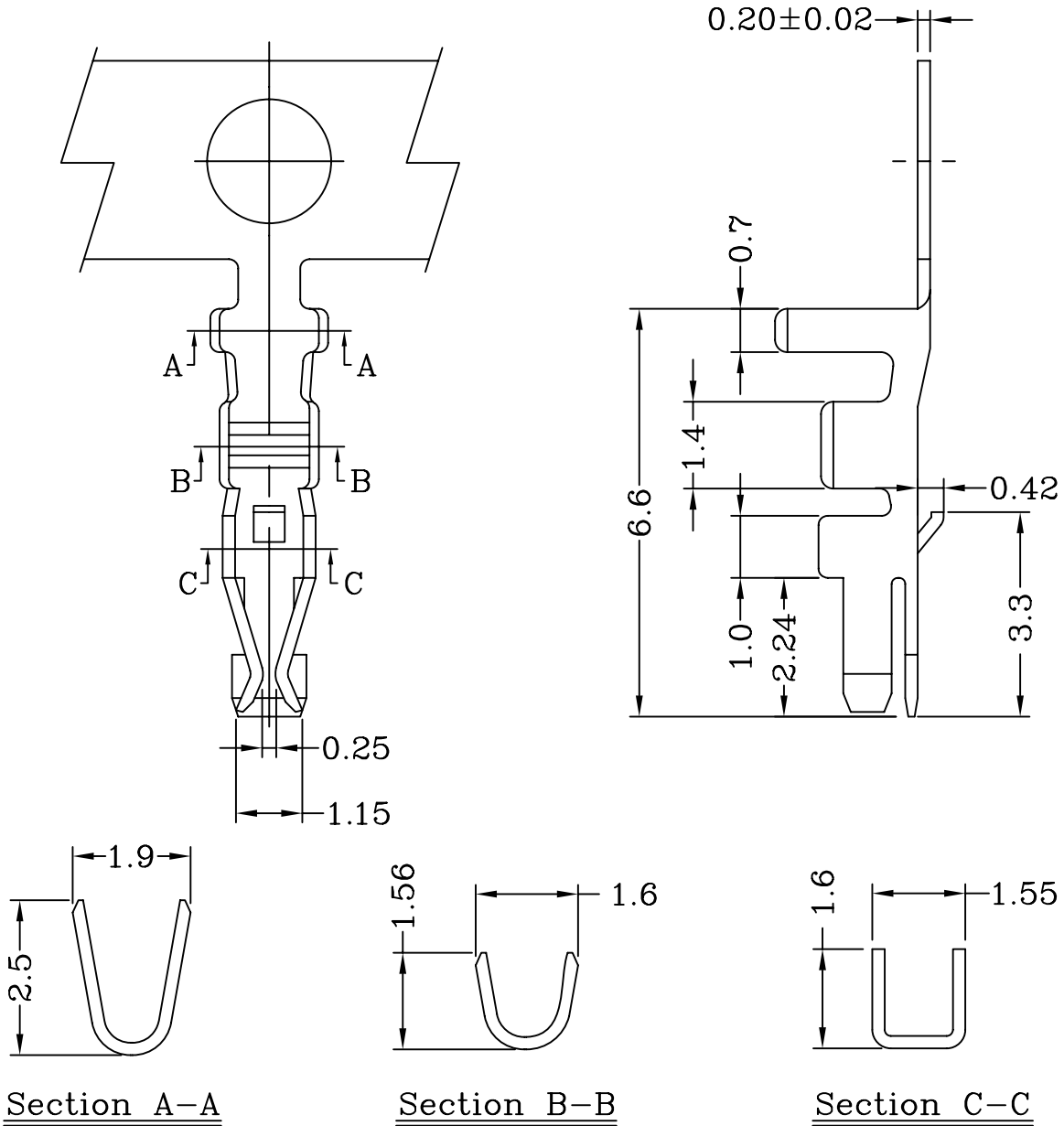
FAX:0768-81802126

DOCUMENT NO.

RDE0206B

SERIAL NO.

A2006T



Specifications & Ordering Information:

Part No.	Wire Range	Insulation O.D.	Material	Finish	Qty/reel
A2006TOP-2	AWG #24~#28	1.60mm(max)	Phosphor bronze	Tin-plated	10,000 PCS

REV.	ECN NO.	UNIT	TOLERANCE	PROJECTION	DRAWING	CHECK	APPROVAL
	NEW DRAWING	mm	*** ± 0.08		余望明	——	朱建勋
			** ± 0.15				
	N2005048		* ± 0.25				