

深圳市占開科技有限公司

ShenZhen ZhanKai Technology CO.,LTD

TEL:0769-81802125

FAX:0769-81802126

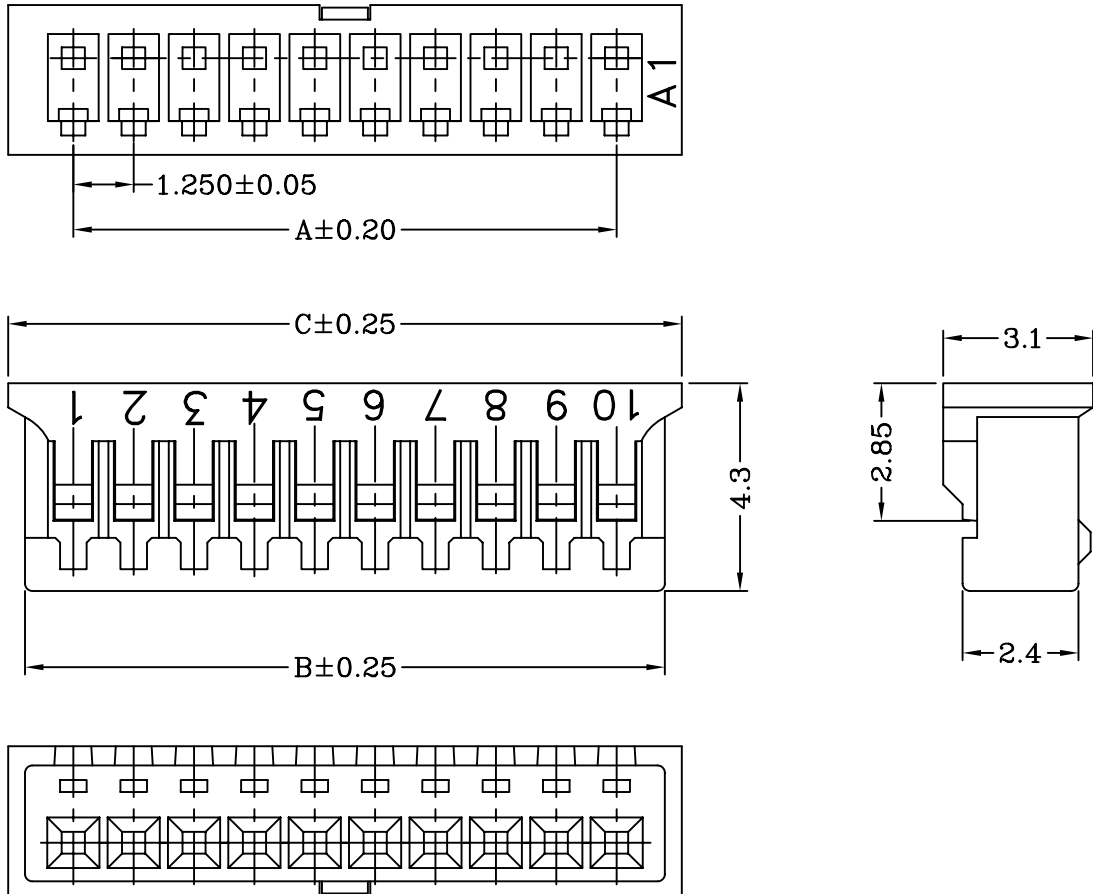
DOCUMENT NO.

RDE0137A

SERIAL NO.

A1253H00-NP

Material: PBT UL 94V-0(Light Brown)



Dimensional & Ordering Information:

Circuits	Part No	Dimensions			PCS/BAG
		A	B	C	
2	A1253H00-2P	1.25	3.25	3.95	1000
3	A1253H00-3P	2.50	4.50	5.20	1000
4	A1253H00-4P	3.75	5.75	6.45	1000
5	A1253H00-5P	5.00	7.00	7.70	1000
6	A1253H00-6P	6.25	8.25	8.95	1000
7	A1253H00-7P	7.50	9.50	10.20	1000
8	A1253H00-8P	8.75	10.75	11.45	1000
9	A1253H00-9P	10.00	12.00	12.70	1000
10	A1253H00-10P	11.25	13.25	13.95	1000
11	A1253H00-11P	12.50	14.50	15.20	1000
12	A1253H00-12P	13.75	15.75	16.45	1000
13	A1253H00-13P	15.00	17.00	17.70	1000
14	A1253H00-14P	16.25	18.25	18.95	1000
15	A1253H00-15P	17.50	19.50	20.20	1000

REV.	ECN NO.	UNIT	TOLERANCE	PROJECTION	DRAWING	CHECK	APPROVAL
△	NEW DRAWING	mm	*** ±0.08		王昊	——	余望明
			** ±0.15				
			* ±0.25				

深圳市占開科技有限公司

ShenZhen ZhanKai Technology CO.,LTD

TEL:0769-81802125

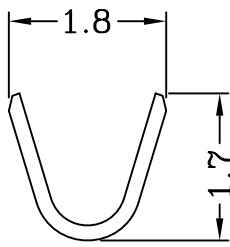
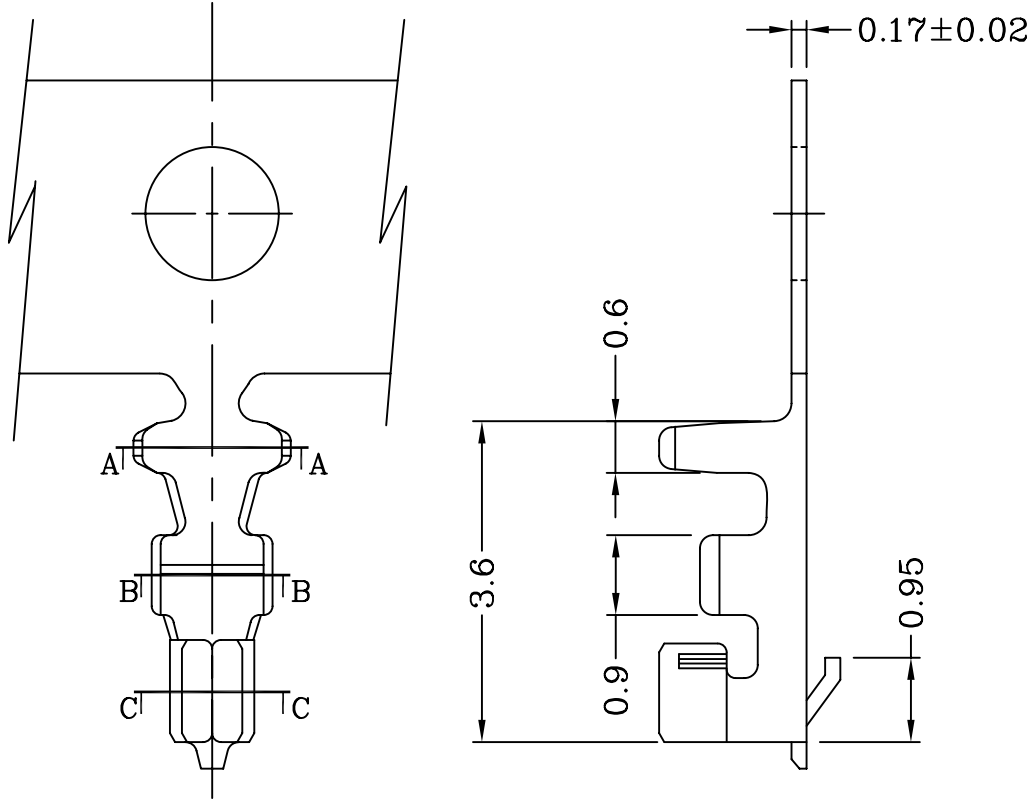
FAX:0769-81802126

DOCUMENT NO.

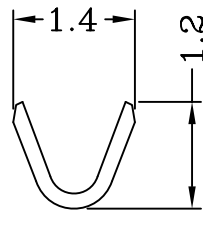
RDE0156B

SERIAL NO.

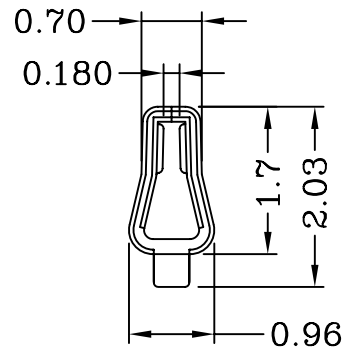
A1253T



Section A-A



Section B-B



Section C-C

Specification & Ordering Information:

Part No	Wire Range	Insulation O.D.	Material	Finish	Qty/reel
A1253TOP-2	AWG #28~#32	1.0mm(max)	Phosphor bronze	Tin-plated	20,000 pcs

REV.	ECN NO.	UNIT	TOLERANCE	PROJECTION	DRAWING	CHECK	APPROVAL
A	NEW DRAWING	mm	*** ±0.08		王昊	————	余望明
B	N2005011		** ±0.15				
			* ±0.25				